



# 85mA Dual H-Bridge Odometer Driver with Divide by Select

## Description

The CS8441 is a Stepper Motor Driver that implements an H-Bridge design in order to drive two coils in an eight step sequence per revolution in the divide by 1 mode; 16 step sequence in the divide by 2 mode. The H-Bridge is capable of delivering 85mA to the load.

The sequencer insures that the odometer is monotonic. This sequencer is configured such that simultaneous conduction does not occur. Before each successive output sequence the part is taken through a state where both outputs are turned off individually. This tends to minimize the inductive

kick back energy that the part must absorb. On chip clamp diodes are across each output to protect the part from the kick back energy that it must absorb.

Additional part protection is provided by two functions. The first being "short circuit protection". This function will protect the part in the case of a shorted or partially shorted load. The second protection function is the "overvoltage function". This function monitors the level of the supply voltage. In transient conditions such as load dump, the part will shut down, protecting itself.

## Features

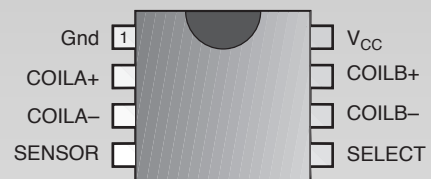
- No Cross-conduction in either H-bridge
- Divide by 1 and Divide by 2 Mode
- Guaranteed Monotonic
- On Chip Flyback Diodes
- Fault Protection  
Overvoltage  
Load Dump Protection to 60V

## Absolute Maximum Ratings

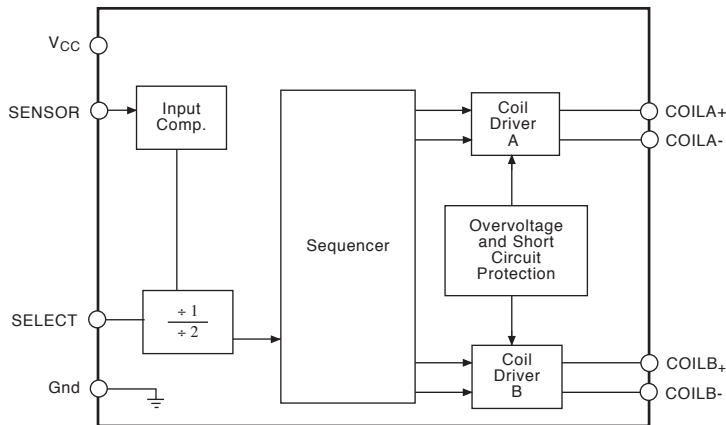
Supply Voltage ( $V_{CC}$ ) (continuous) -40°C to +105°C .....	-0.5 to 24V
(100ms pulse transient) -40°C to +105°C .....	-0.5 to 60V
Input Voltage ( $V_{IN}$ ) .....	-0.3 to $V_{CC} + 0.3V$
Storage Temperature Range ( $T_{STG}$ ) .....	-65°C to 150°C
Junction Temperature Range .....	-40°C to 150°C
ESD (Human Body Model) .....	2kV
Lead Temperature Soldering	
Wave Solder(through hole styles only) .....	10 sec. max, 260°C peak

## Package Options

### 8 Lead PDIP



## Block Diagram



Cherry Semiconductor Corporation  
 2000 South County Trail, East Greenwich, RI 02818  
 Tel: (401)885-3600 Fax: (401)885-5786  
 Email: info@cherry-semi.com  
 Web Site: www.cherry-semi.com

Electrical Characteristics: Unless otherwise stated, these specifications apply for  $-40^{\circ}\text{C} \leq T_A \leq 105^{\circ}\text{C}$ ,  $6.5\text{V} \leq V_{CC} \leq 15.5\text{V}$ . All voltage shall be referenced to Gnd unless otherwise noted. Overvoltage shutdown of coils occurs when  $V_{CC} > 16\text{V}$ .

PARAMETER	TEST CONDITIONS	MIN	TYP	MAX	UNIT
<b>■ Supply, <math>V_{CC}</math></b>					
Supply Voltage Range	$-40^{\circ}\text{C} \leq T_A \leq 105^{\circ}\text{C}$	6.5		15.5	VDC
	$-40^{\circ}\text{C} \leq T_A \leq 25^{\circ}\text{C}$	6.5		24.0	VDC
	Transient Pulse, 100ms			35.0	VDC
Supply Current	$V_{CC} = 15.5\text{VDC}$ Outputs not loaded		24	35	mA
Overvoltage Shutdown		16		23	V
<b>■ Speed Sensor Input, SENSOR</b>					
Input Frequency Range			0.2	1.0	kHz
Switching Threshold		1.2		2.4	VDC
Hysteresis		300	500		mVDC
Input Bias Current	$0.8\text{VDC} \leq V_{IN} \leq V_{CC}$		0.1	$\pm 1.0$	$\mu\text{A}$
Input Voltage Range		0		$V_{CC}$	VDC
Operating Input Voltage	10k $\Omega$ Resistor in Series			-15 to $V_{CC}$	VDC
Input Clamp Current	I Clamp at $V_{IN} = 0\text{VDC}$		-0.4	-5.0	mA
<b>■ Divider Select Input, SELECT</b>					
Logic 0 Input Voltage				100	mVDC
Logic 1 Input Voltage		3.0			VDC
Logic 0 Input Current	$0\text{V} \leq V_{IN} \leq 100\text{mV}$		-1	-100	$\mu\text{A}$
Logic 1 Input Current	$3\text{V} \leq V_{IN} \leq 15.5\text{VDC}$		0.75	2.00	mA
<b>■ Coil Output Drivers</b>					
Coil Load	+25 $^{\circ}\text{C}$	198	210	222	$\Omega$
Coil Inductance			80		mH
Coil Resistance Temperature Coefficient				0.35	%/ $^{\circ}\text{C}$
* Energized Coil Voltage (Both Polarities) A and B	$V_{CC} = 6.5\text{VDC}$ $V_{CC} = 10.0\text{VDC}$ $V_{CC} = 15.5\text{VDC}, -20^{\circ}\text{C} \leq T_A \leq 105^{\circ}\text{C}$ $V_{CC} = 15.5\text{VDC}, -40^{\circ}\text{C} \leq T_A \leq -20^{\circ}\text{C}$	$V_{CC} - 1.5\text{V}$ $V_{CC} - 1.6\text{V}$ $V_{CC} - 1.75\text{V}$ $V_{CC} - 2.0\text{V}$	$V_{CC} - 0.9\text{V}$ $V_{CC} - 1.0\text{V}$ $V_{CC} - 1.1\text{V}$ $V_{CC} - 1.2\text{V}$		VDC VDC VDC VDC
De-Energized Coil Leakage Current				$\pm 100$	$\mu\text{A}$
<b>■ Short Circuit Protection</b>					
Short Circuit Threshold I Coil A + I Coil B			275	400	mA
Short Circuit Turn-Off Delay			5		$\mu\text{s}$

\* Voltage across the coils shall be measured at the specific voltages, but shall also be within linearly interpolated limits.

PACKAGE PIN #	PIN SYMBOL	FUNCTION
<b>8L PDIP</b>		
1	Gnd	Ground connection.
2	COILA+	Output stage, when active, this pin supplies current to COIL A.
3	COILA-	Output stage, when active, this pin supplies current to COIL A.
4	SENSOR	Input signal from wheel speed or engine rpm.
5	SELECT	Selects divide by 1 or divide by 2 mode.
6	COILB-	Output stage, when active, this pin supplies current to COIL B.
7	COILB+	Output stage, when active, this pin supplies current to COIL B.
8	V <sub>CC</sub>	Supply Voltage.

**Circuit Operation**

**Speed Sensor Input**

SENSOR is a PNP comparator input which accepts a sine wave input or a square wave input. This input is protected from excursions above V<sub>CC</sub> as well as any below ground, as long as the current is limited to 1.5mA. It has an active clamp set to zero volts to prevent negative input voltages from disrupting normal operation. The sensor input can withstand 150V<sub>DC</sub> as long as the input current is limited to 1.5mA max using a series resistor of 100kΩ.

**Coil Driver Outputs**

Simultaneously energizing the source and sink on either leg is not permitted. i.e. Q1 & Q2 or Q3 & Q4 cannot be energized simultaneously.

Circuit function is not affected by inductive transients due to coil loads as specified in Transition States section.

The transition states occur as indicated in Table 1 without any intermediate states permitted.

Table 1: Transition States

Output State Table		
State	Coil A	Coil B
0	+	+
1	OFF	+
2	-	+
3	-	OFF
4	OFF	-
5	OFF	-
6	+	-
7	+	OFF

The polarity definition for the coil driver outputs is as follows:

Polarity	Connect	Connect
	Coil +	Coil -
Positive (+)	V <sub>CC</sub>	Gnd
Negative (-)	Gnd	V <sub>CC</sub>

**Divider Select Input**

The speed sensor input frequency is divided by one or divided by two by connecting the divider select input, (Pin 5) as follows:

Logic 0 = divide by 2

Logic 1 = divide by 1

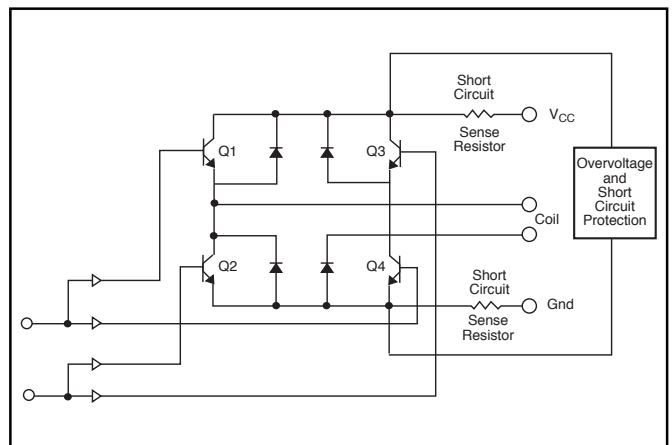


Figure 1: Coil Driver Output

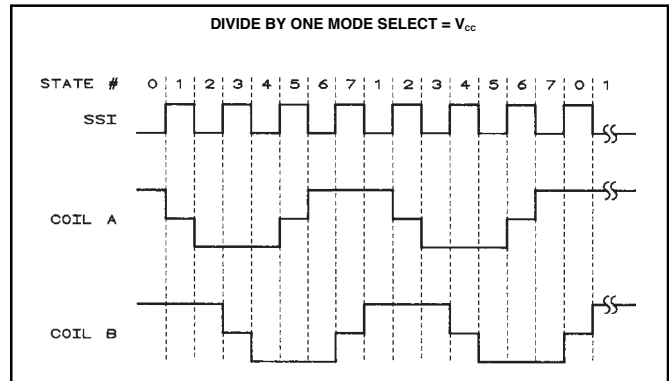


Figure 2: Divide by 1 SELECT Mode

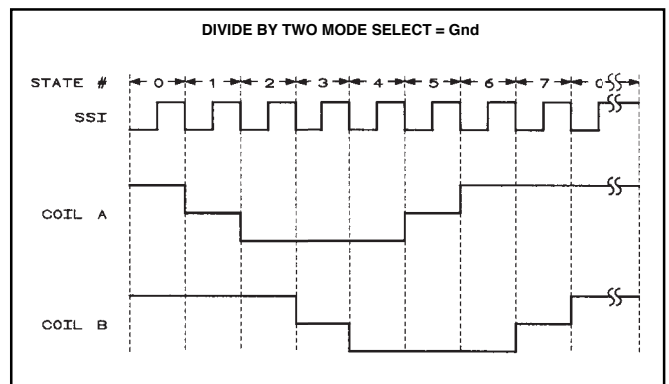
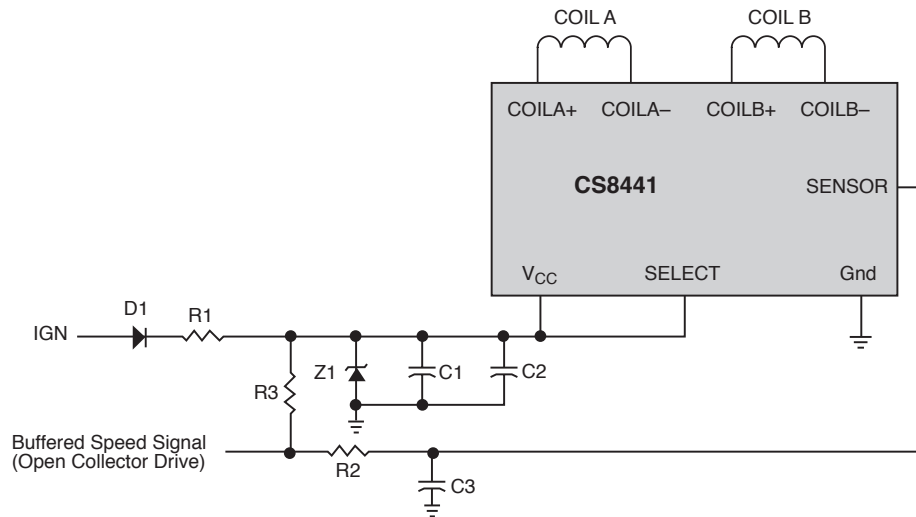


Figure 3: Divide by 2 SELECT Mode

**Odometer Application Diagram**

- C1 - 10 $\mu$ F
- C2 - 0.1 $\mu$ F
- C3 - 0.01 $\mu$ F
- R1 - 3.9 $\Omega$ , 500mW
- R2 - 100k $\Omega$
- R3 - 15k $\Omega$
- D1 - 1A, 600PIV
- Z1 - 50V, 500mW
- COIL A - 210 $\pm$ 12 $\Omega$ , 80mH
- COIL B - 210 $\pm$ 12 $\Omega$ , 80mH



**Package Specification**

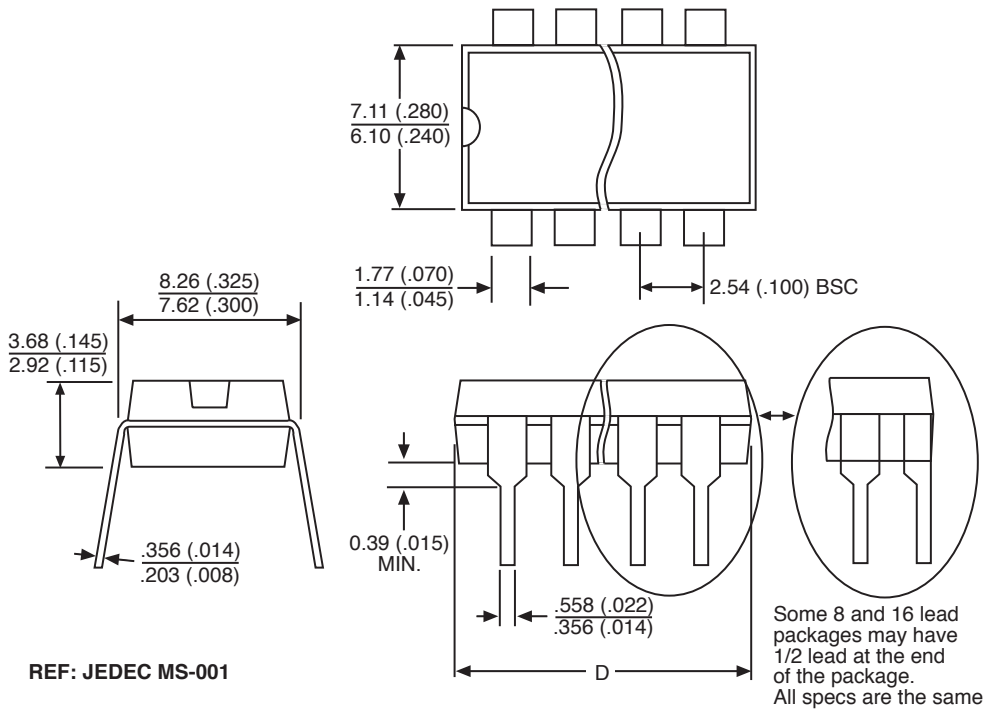
**PACKAGE DIMENSIONS IN mm (INCHES)**

Lead Count	D			
	Metric		English	
	Max	Min	Max	Min
8L PDIP	10.16	9.02	.400	.355

**PACKAGE THERMAL DATA**

Thermal Data		8 Lead PDIP	
R $\theta$ JC	typ	52	$^{\circ}$ C/W
R $\theta$ JA	typ	100	$^{\circ}$ C/W

**Plastic DIP (N); 300 mil wide**



REF: JEDEC MS-001

**Ordering Information**

Part Number	Description
CS8441XN8	8 Lead PDIP

Cherry Semiconductor Corporation reserves the right to make changes to the specifications without notice. Please contact Cherry Semiconductor Corporation for the latest available information.